

Frame Walk-In

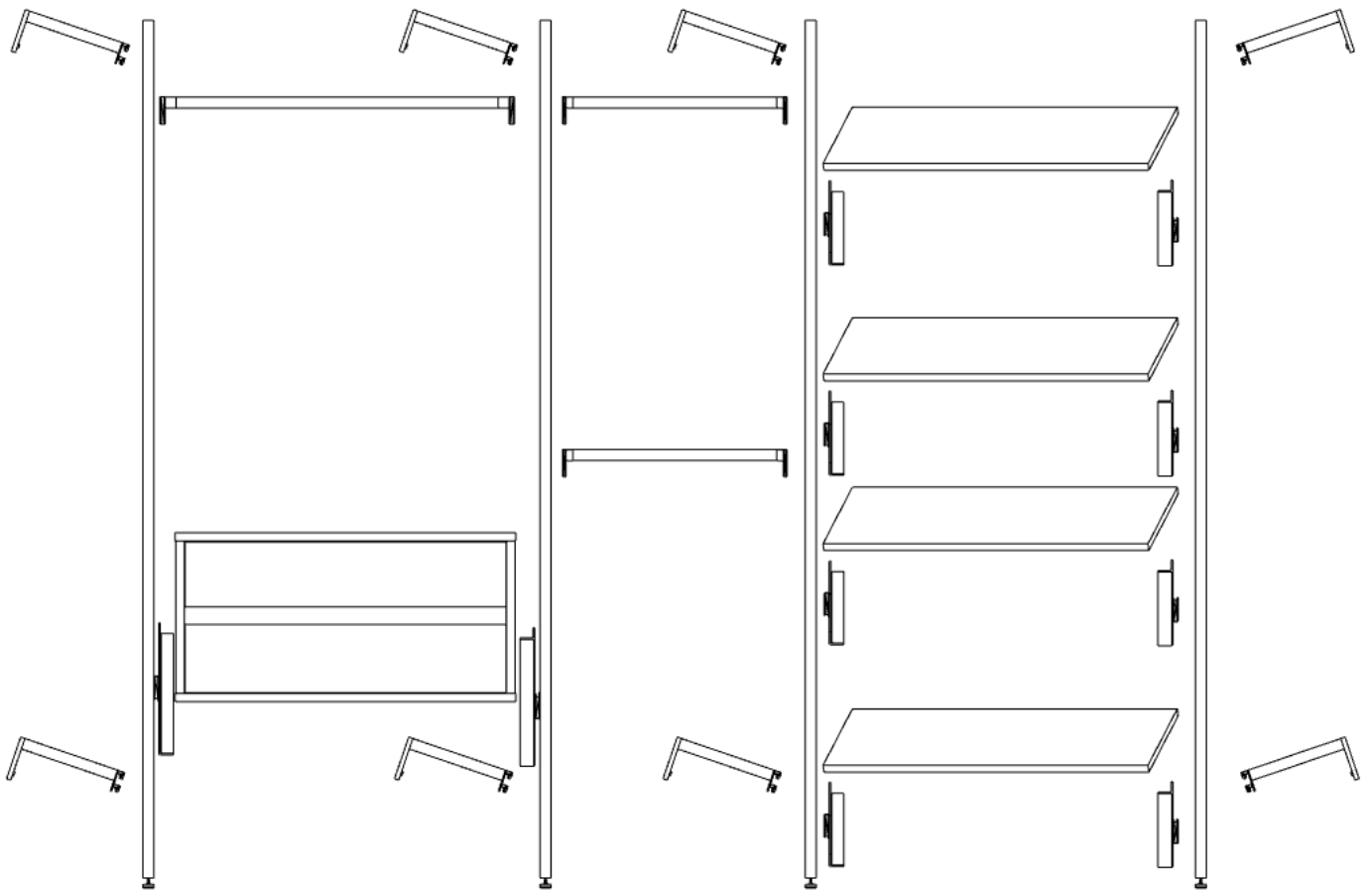


INSTRUCTIONS

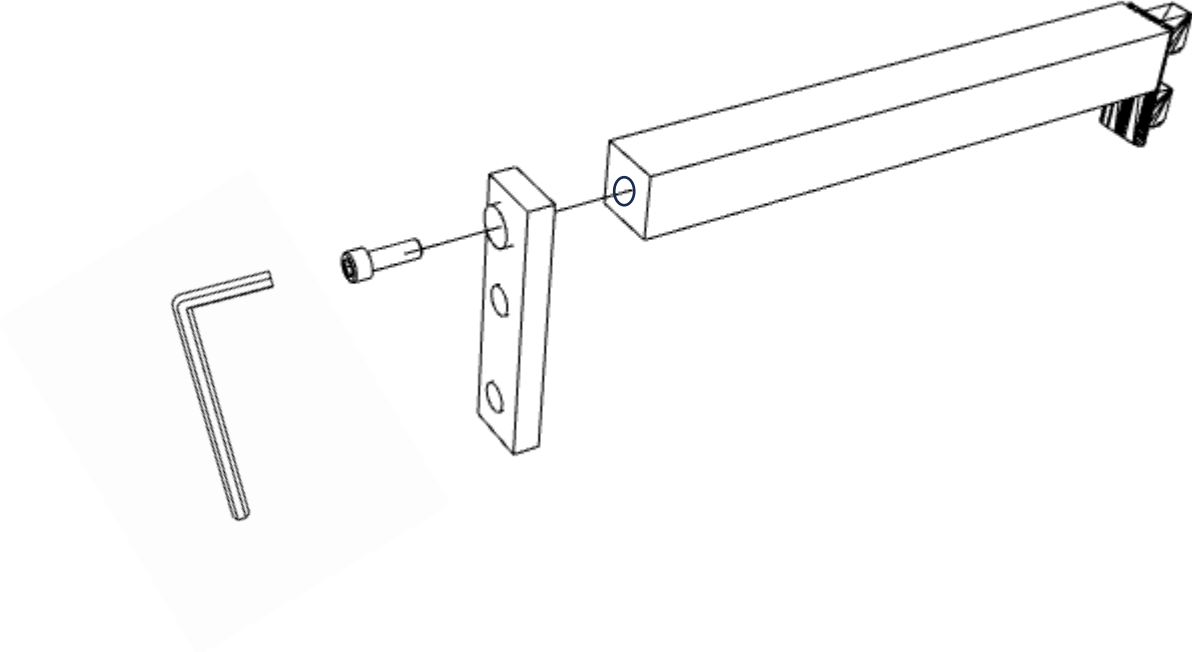
1 Open picture of your walk-in as a reference



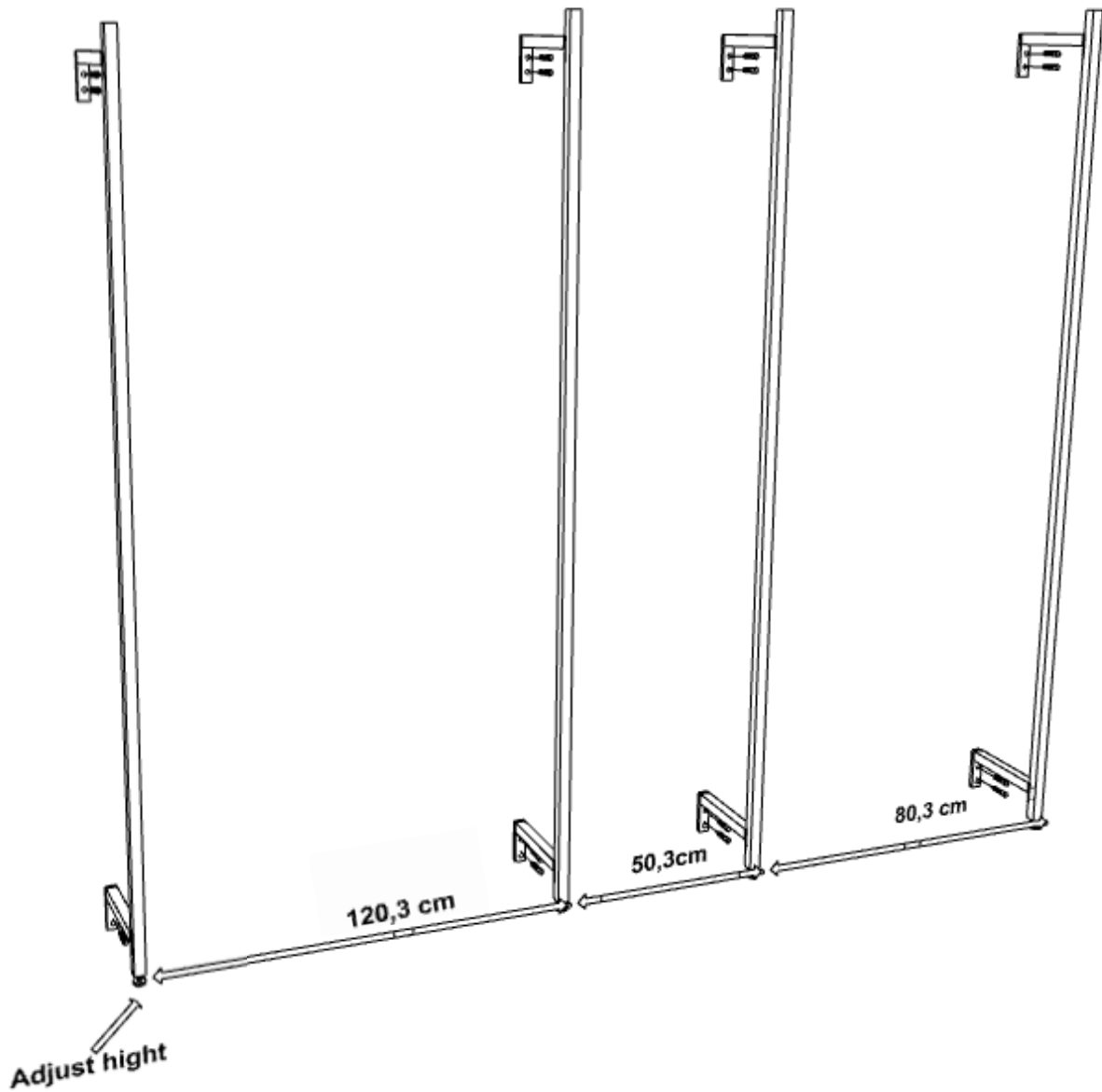
2 Using the reference lay all parts down on the floor



3 Connect mounting plates with wall supports



4 Attach vertical poles using wall brackets



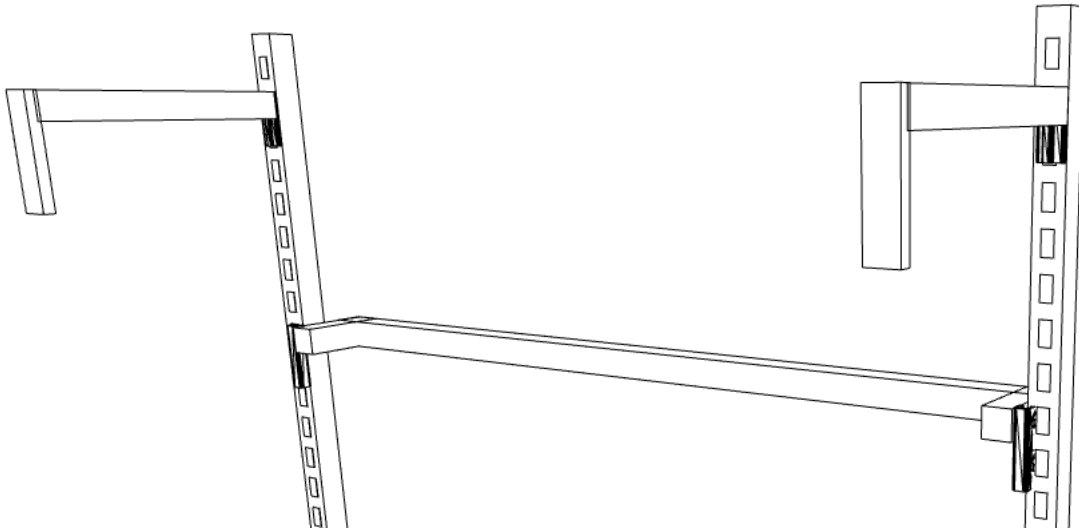
use 50,3cm distance for 50cm rows

use 80,3cm distance for 80cm rows

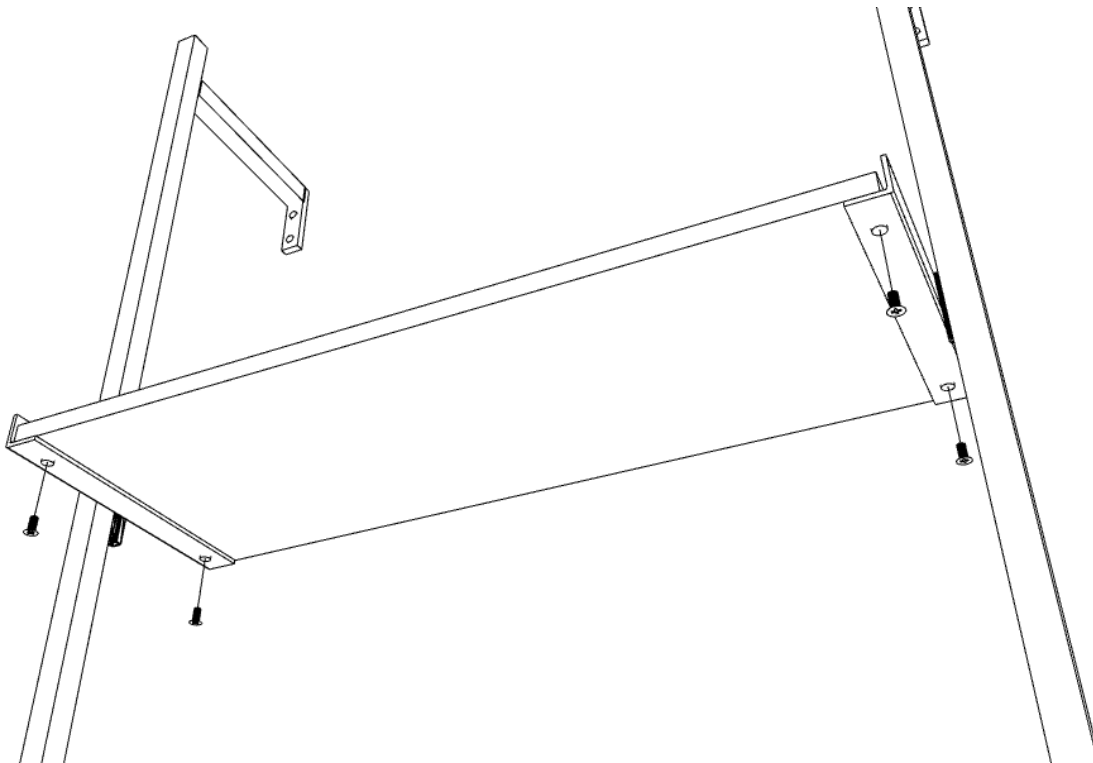
use 120,3cm distance for 120cm rows

5 Add elements

Rails: Can be attached at preferred height

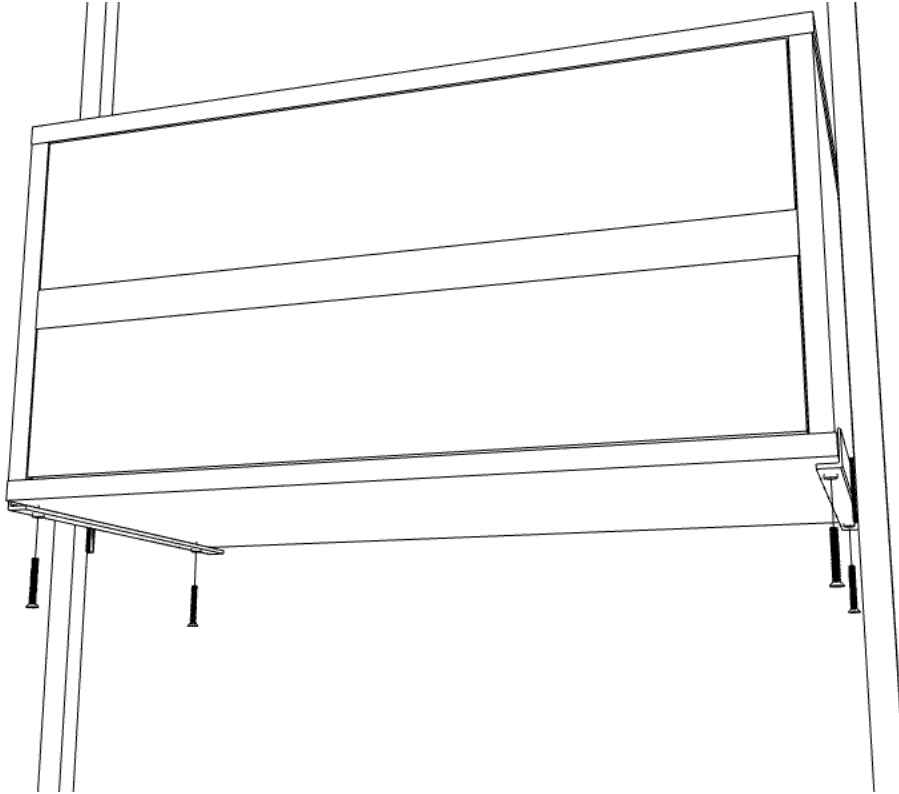


Shelves & Desks: Add supports and attach shelf/desk



Dressers: Assemble dresser (see guide in boxes)

Add dresser supports and attach dresser



Tip: Attach dresser with supports higher up. Once dresser is attached, move the dresser with brackets further down in preferred position